

## DS-2CE16D0T-IPF HD 1080p IR Bullet Camera



### Key Features

- 2 megapixel high performance CMOS
- Analog HD output, up to 1080p resolution
- Day/Night switch
- Smart IR
- Up to 20 m IR distance
- Switchable TVI/AHD/CVI/CVBS
- IP66



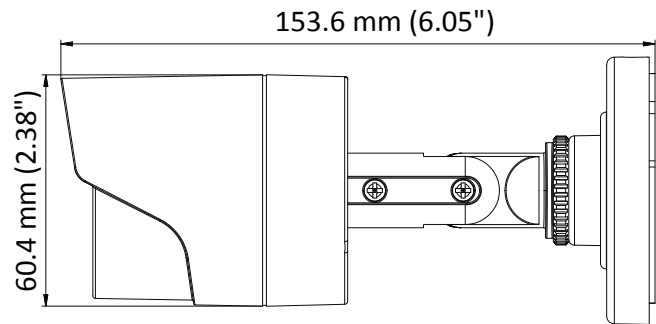
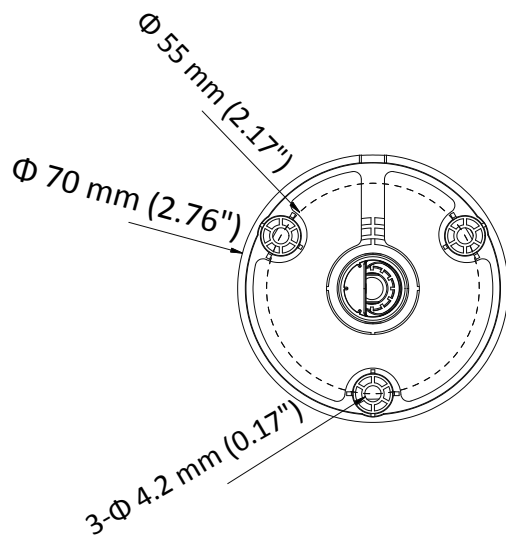
## Specifications

| <b>Camera</b>        |   |
|----------------------|---|
| Image Sensor         | 2MP CMOS Image Sensor   |
| Signal System        | PAL/NTSC  |
| Effective Pixels     | 1920 (H) × 1080 (V)   |
| Min. illumination    | 0.01 Lux@(F1.2,AGC ON),0 Lux with IR  |
| Shutter Time         | 1/25 (1/30) s to 1/50,000 s   |
| Lens                 | 2.8 mm, 3.6 mm, 6 mm optional   |
|                      | Field of view: 103° (2.8 mm), 82.2° (3.6 mm), 54° (6 mm)                    |
| Lens Mount           | M12   |
| Day & Night          | ICR   |
| Angle Adjustment     | Pan: 0° to 360°, Tilt: 0° to 180°, Rotation: 0° to 360°                     |
| Synchronization      | Internal synchronization  |
| Video Frame Rate     | 1080p@25fps/1080p@30fps   |
| HD Video Output      | 1 analog HD output  |
| S/N Ratio            | >62 dB  |
| <b>General</b>       |   |
| Operating Conditions | -40 °C to 60 °C (-40 °F to 140 °F), Humidity 90% or less (non-condensation) |
| Power Supply         | 12 V DC ± 15%   |
| Power Consumption    | Max. 4 W  |
| Protection Level     | IP66  |
| IR Range             | Up to 20 m  |
| Dimensions           | Φ 70 mm × 154.5 mm ( 2.76" × 6.08")   |
| Weight               | 400 g (0.88 lb.)  |

## Order Model

DS-2CE16DOT-IPF

## Dimensions



## Accessories



**DS-1280ZJ-XS**  
Junction Box



**DS-1H18**  
Video Balun



**X41T**  
Camera Tester

Distributed by



### Headquarters

No.555 Qianmo Road, Binjiang District,  
Hangzhou 310051, China  
T +86-571-8807-5998  
overseasbusiness@hikvision.com

**Hikvision Poland**  
T +48-22-460-01-50  
poland@hikvision.com

**Hikvision USA**  
T +1-909-895-0400  
sales.usa@hikvision.com

**Hikvision India**  
T +91-22-28469900  
sales@pramahikvision.com

**Hikvision UK**  
T +44-1628-9021-4  
support.uk@hikvision.com

**Hikvision Europe**  
T +31-23-5542770  
saleseuro@hikvision.com

**Hikvision Italy**  
T +39-0438-6902  
info.it@hikvision.com

**Hikvision Singapore**  
T +65-6684-4718  
sg@hikvision.com

**Hikvision Middle East**  
T +971-4-8816086  
salesme@hikvision.com

**Hikvision France**  
T +33(0)1-85-330-444  
info.fr@hikvision.com

**Hikvision Oceania**  
T +61-2-8599-4233  
salesau@hikvision.com

**Hikvision Russia**  
T +7-495-669-67-99  
saleru@hikvision.com

**Hikvision Spain**  
T +34-91-737-16-55  
info.es@hikvision.com

**Hikvision Hong Kong**  
T +852-2151-1761